



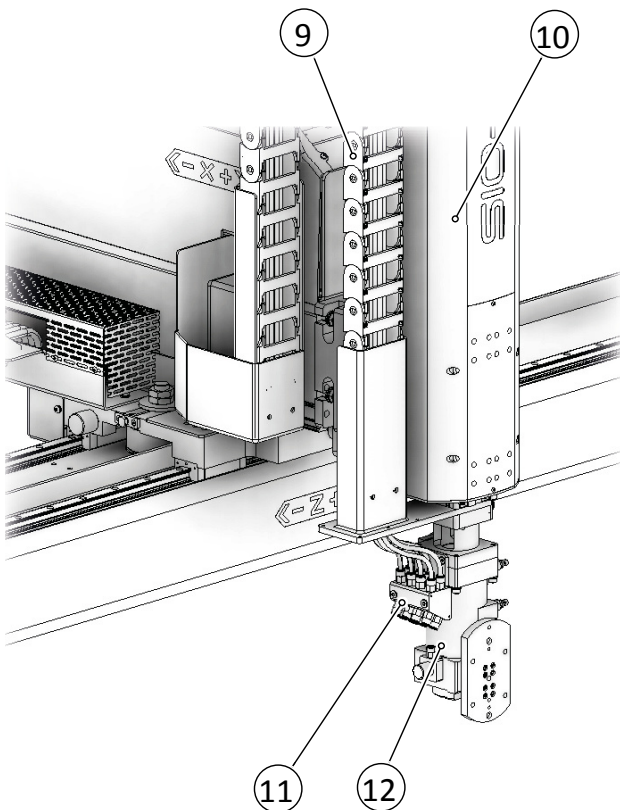
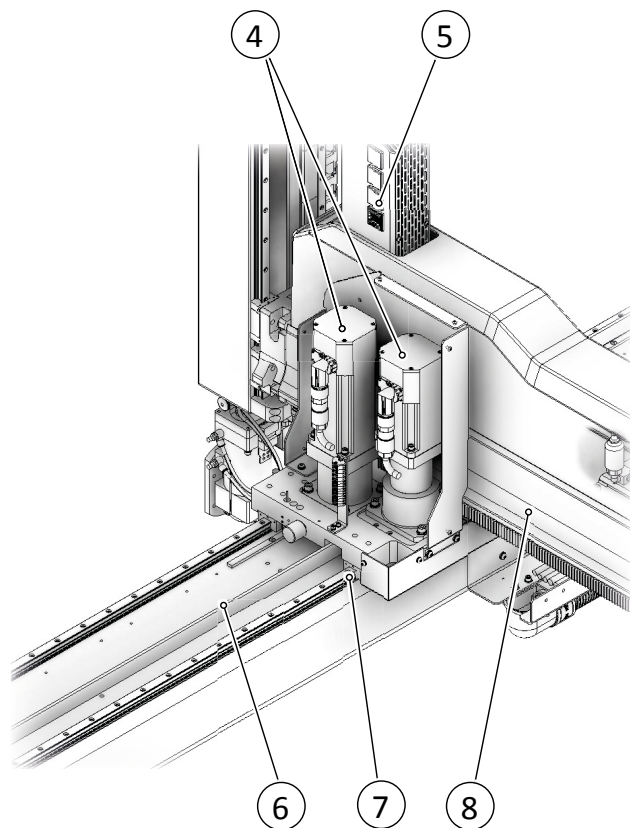
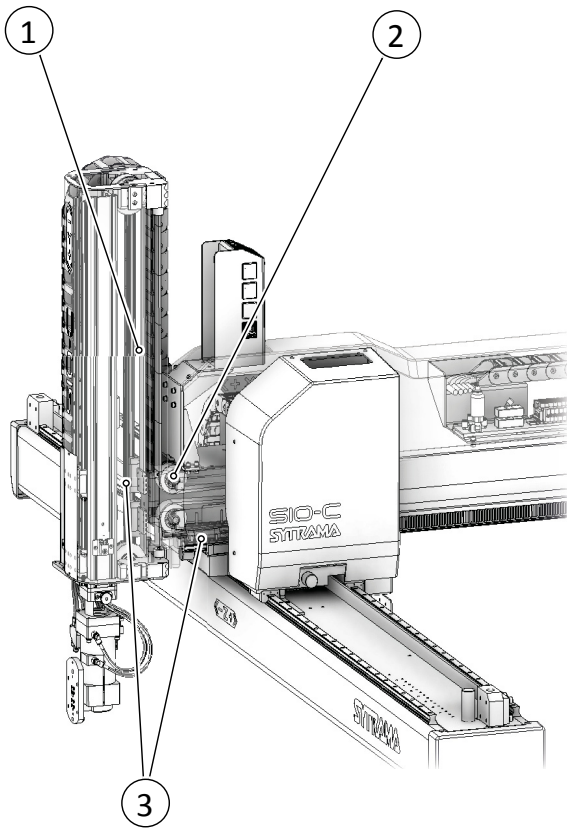
		Transverse axis	Vertical axis	Extraction axis	SCP2 control panel
Working stroke	(mm)	2000	1000	750	Storage for 100 programs with 300 program lines
Top speed	(m/s)	1.8	3	1	
Application on injection moulding machines	(tonnes)	200-600			Standard palletizing program
Positioning reproducibility	(mm)	± 0.2			Immediate switching between 2 languages, multiple language available
Manipulable weight	(kg) *	20			
Pickup device turning	(C axis)	0° - 90°			
Pickup device rotation	(A axis)	0°-90°/0°-180° (Optional)			User definible safe working areas (8 in total)
Piece presence control with vacuum switch		standard			Program backup/restore via USB
E.O.A.T control		standard			Multiple passwords allow customized protection levels
Compressed air supply	(bar) kPa	(6) 600			Control monitors system conditions and maintenance status
Venturi vacuum system max. air consumption	(NI/min)	24			Expandable and remotable 12 Input and 12 Output modules
Mains voltage		3x400-480 VAC	TT TN system		Controls up to 6 axis, with synchro movements
Maximum rated power	(kW)	8			Remote assistance via ethernet available on request
Auxiliary control voltage	(V d.c.)	24			Runs up to 10 parallel programs
Noise level	dB(A)	<85			Easy positioning teaching
Paintwork		RAL 7016 - RAL 9022			
Electrical panel paintwork		RAL 7035			
Interfacing		Euomap 67 - 12 (optional)			
Weight of manipulator	(kg)	410			
Weight of electrical panel	(kg)	98			

* Including pickup device and depending on application, speeds and accelerations

Technical data are not binding and are subject to modification without notice

SIO-C

SYTRAMA



1. *Y axis high power belt*
2. *low maintenance and accurate belt transmission*
3. *X and Y axes high-precision guiding system with sliding block on prismatic guides*
4. *brushless motors*
5. *analogic vacuum switch, settable from the pendant*
6. *Z axis high power belt*
7. *Z axis high-precision guiding system with sliding block on prismatic guides*
8. *special aluminum designed for high stiffness*
9. *external cable chain to reduce vertical encumbrance*
10. *special aluminum designed for high stiffness*
11. *easy connection for pneumatic utilities*
12. *0°-90° pneumatic overturning*